

NEW PRODUCTS

2019

ADB STAGELIGHT 
AN OSRAM BUSINESS

www.adbstagelight.com

INDEX

HCR TECHNOLOGY.....	3
ORKIS.....	4
KLEMANTIS.....	6
OKSALIS.....	8
LEXPERT FAMILY.....	11
LEXPERT PROFILE L.....	12
LEXPERT FRESNEL M.....	14
LEXPERT EMPHASY.....	16
OCEAN	18
IMAGO and IMAGO WING.....	20
HATHOR 2.0.....	22

HCR TECHNOLOGY BY ADB

EVERY COLOR, EVERY NUANCE AND EVERY SHADE WITH THE HIGHEST CRI

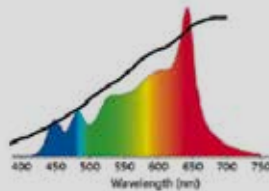
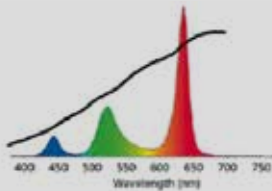
The new HCR technology used in the newest ADB luminaires is an exclusive electronic platform developed by ADB and Claypaky in conjunction with Osram to meet the needs of lighting designers who were not fully satisfied with the performance of LED devices in comparison with traditional lamps, in particular because of their incomplete color range, poor color rendering index and lack of consistency. All these limitations have been now overcome, and it is finally possible to produce every

color, every nuance and every shade with satisfactory quality. The heart of the HCR Technology is a LED light source consisting of a module with six colors: besides the three "classic" basic RED, GREEN and BLUE colors, ADB has added AMBER, CYAN and LIME. This exclusive device provides a very wide color range with excellent color spectrum coverage.

The light produced by the HCR technology has a CRI reaching values that

have never been achieved before by LEDs: the typical CRI value is 97 and it goes up to 99. These values were previously possible only with traditional technology.

The ADB projectors based on the HCR technology are also extraordinary variable white LED units, from 8000K to 2500K: the white light they produce is extremely pure since it combines six colors, and the CRI is unaltered when the color temperature changes.



RGB(W) vs. 6-COLORS: AMBER, CYAN and LIME have been singled out as the perfect colors to complement the gaps in wavelength found in typical RGB systems.



PROPRIETARY 6-COLOR LED SOURCE:
R+G+B+Amber+Cyan+Lime
The six-color chip guarantees the highest CRI and a broader coverage of the Color Gamut

The ADB Luminaires provided with the HCR Technology are:





ORKIS

HIGH QUALITY WHITE AND COLORED LIGHT, SILENT OPERATION, AND VERSATILITY AT YOUR SERVICE

The ORKIS is ADB's new color LED fresnel or pebble luminaire, which brings the modernity of innovative technology to the stage in a simple, versatile, heavy duty unit.

Its CRI remains stable at values of at least 97 thanks to a modern 6-color LED system and advanced software. The Orkis's performance really comes into its own in color production: the

color range obtainable is very wide, and every shade can truly be achieved. It faithfully reproduces the behaviour of a halogen light, making it compatible with various different light sources.

The Orkis is also an extraordinary variable white LED unit, from 8000K to 2500K: the white light it produces is extremely pure since it combines six colors, and the CRI is unaltered when

the color temperature changes.

Its flexibility of use is remarkable: the fresnel version produces a flood light up to an angle of 87° (field angle), or a spot light with an angle of 15° (beam angle). Variation is continuous, smooth and linear within this range.

Alternatively, the Orkis can be modified into a Pebble luminaire, by changing the lens with the related accessory or vice-versa.



Modern, technologically advanced, versatile and extremely quiet, the Orkis can deliver high quality light in many applications: a complete solution for your rig.

ELECTRICAL

Power Supply: 90 - 260 V 50/60 Hz

OPTICAL

- Light source: 6-Color LED (Red, Green, Blue, Amber, Cyan, Lime)
- CRI: 97 at any color temperature
- Color temperature range: 2500K - 8000K
- Motorized zoom
- Fresnel lens:
 - Beam angle: 15° to 54°
 - Field angle: 22° to 87°
- Pebble lens:
 - Beam angle: 15° to 56°
 - Field angle: 26° to 80°

CONTROL

- Control modes: DMX 512, RDM, ArtNET

- Local control: Zoom, Intensity, CTO, Green-Magenta adjustment
- 16-bit ultra-smooth dimming
- IHM: color touch-screen & 3 push encoders
- Color control modes: Hue Saturation, RGB, CMY

PHYSICAL

- Aluminium & metal die-cast housing
- Color: black
- Standard accessories:
 - Metal filter frame 215 x 215 mm
 - Neutrik PowerCON TRUE1 1.5 m power cable, bare ends
- Optional accessories:
 - 8 leaves barndoors 215 x 215 mm

Weight

9 Kg (19.85 lbs)

PHOTOMETRY

Fresnel Lens 3 200 K

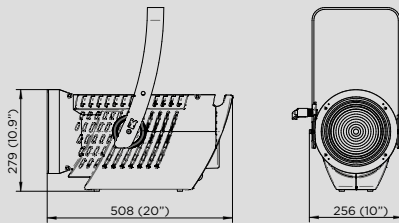
narrow beam	2 375 lux à 5 m
wide beam	305 lux à 5 m

Pebble Lens 3 200 K

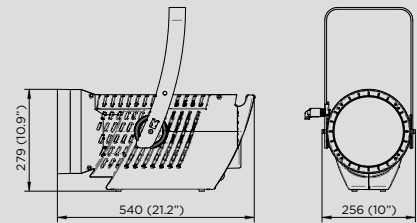
narrow beam	1 668 lux à 5 m
wide beam	280 lux à 5 m

DIMENSIONS mm (inches)

Fresnel Lens:



Pebble Lens:



Orkis
HCR TECHNOLOGY





KLEMANTIS

THE NEW CYCLIGHT BY ADB, WITH STATE-OF-THE-ART LED TECHNOLOGY

The new ADB KLEMANTIS is an asymmetric cyclight based on a six-color LED module, which uses cutting-edge HCR (high color rendering) LED technology to deliver a wide selection of colors from bold hues to pastel shades.

Thanks to an innovative algorithm, the unit is capable of achieving a stable CRI of over 97, as well as an impressive tunable white light ranging from 2500K to 8000K.

Its light output is enhanced by an innovative optical system, which enables the Klemantis to generate a uniform light with excellent diffusion and perfectly blended colors.

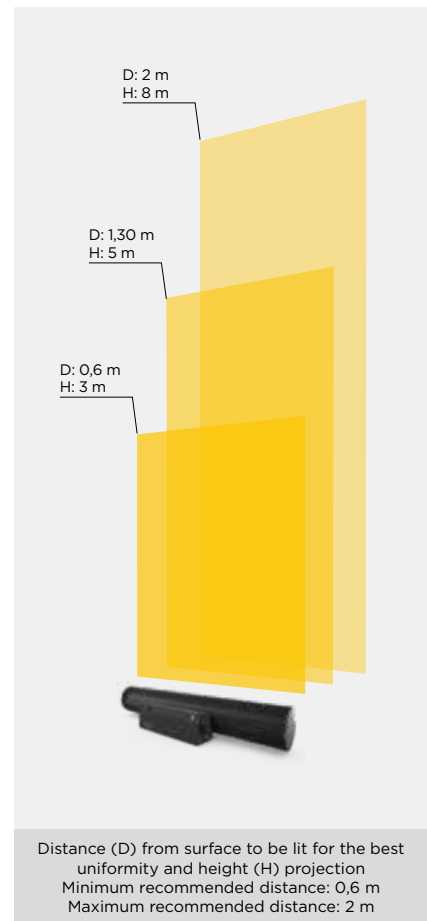
The KLEMANTIS units form a family of fixtures which are designed to be

used in linear arrays. The KLEMANTIS AS1000 is fitted with 16 multi-source LED modules and the KLEMANTIS AS500 with 8.

They can be used horizontally, vertically, laid on the floor, or hung from above on a bar. The AS500 is particularly suited for lighting cyc corners.

Unlike any other product on the market, the KLEMANTIS can be installed up to 60 cm from the cyclorama.

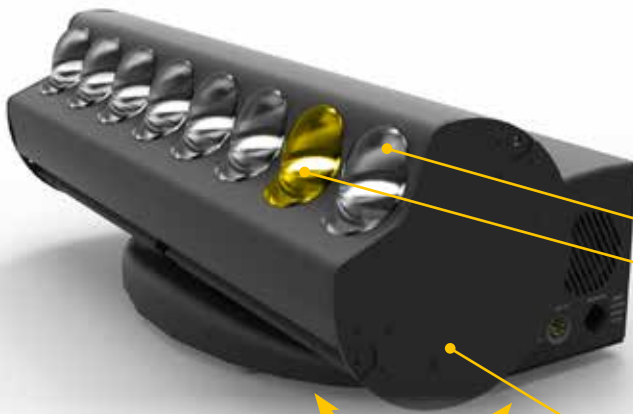
The Klemantis is a creative tool designed to meet today's lighting design needs. Its unique features and the unit's design reinvent the cyclorama concept, making it the perfect choice for any professional application.



SPECIFICATIONS

- Beam type: asymmetric flood
- Very high CRI, >97 throughout the entire CCT (up to 99)
- Tunable white ranging from 2500K to 8000K, with perfect CCT
- Tungsten mode, to replicate the behaviour of a tungsten lamp during dimming from 0 to 100% and vice versa, including color temperature adjustment
- Tint correction: +/- green/magenta adjustments
- 16-bit ultra-smooth dimming, with different dimming curves available
- Exclusive LED module featuring six colors: red, green, blue, cyan, lime and amber
- Wide color gamut and extended spectrum, including deep blue and deep red
- Smooth color transition through different times, cross-fade and path options, and a gamma correction system
- Color control: hue saturation luminosity (HSL), CMY, RGB and RAW modes fully exploit the potential of the six-color system; wide selection of Digital filters (Color macros) which reproduce the spectrum of gel filters with tungsten bulbs

- High color stability and accuracy, also in tungsten mode, thanks to a high resolution driver
- Color consistency over time and temperature changes, thanks to combined fixture calibration and a LED ageing compensation algorithm
- Fixture to fixture color repeatability, thanks to tight wavelength binning selection and 100% fixture calibration
- Power supply: 100-240 V, 50/60 Hz
- Max power consumption: 280W (AS1000), 170W (AS500)
- Inputs: PowerCon IN, DMX 5 poles, USB Ethernet
- Outputs: PowerCon OUT, DMX 5 poles
- Daisy chain via PowerCon cable, max 5 KLEMANTIS AS 1000
- Connections IN and OUT for daisy chain, max 5 units
- Control protocols: DMX512, RDM, ArtNet, sACN
- Flicker-free, thanks to PWM frequency adjustment from 1 KHz to 50 KHz (10 Hz steps)
- LED cooling by natural convection



The fixture can be tilted on its base

DIMENSIONS

KLEMANTIS AS1000

LxWxH (mm): 1000 x 271 x 196

LxWxH (inches): 39.4 x 10.7 x 7.7

KLEMANTIS AS500

LxWxH (mm): 500 x 271 x 196

LxWxH (inches): 19.7 x 10.7 x 7.7

OPTICAL SYSTEM

Special optical mixing chambers with reflective internal walls ("rods") convey the light output from each LED to the lens: this system generates perfectly mixed and uniform colors, without shadows or multi-colors at the output.

Enhanced ASYMMETRICAL LENSES for cyclorama lighting provide uniformity > 90% regardless of the cyclorama height.

Optional interchangeable SYMMETRIC LENSES turn your unit into a powerful straight beam of light.



TUNGSTEN MODE

It's a special function which emulates the tungsten lamps: every parameter is set to emulate the performance of an incandescent bulb, specifically the dimming curve and the related color shift. Five different digital tungsten lamps are available.

COLOR MANAGEMENT

Klemantis features 4 operating modes: Raw Mode, HSL, RGB emulation and CMY emulation.

HSL mode is an innovative function allowing to manage both colors and white light, based on a complex, exclusive algorithm. In this mode, the CRI is kept constantly > 97, irrespective of color temperature.

COLOR LIBRARIES BASED ON GEL FILTERS

DMX channel for finding the color required, from among a huge selection based on color gels commonly used in the theatre.



OKSALIS

THE LED FLOOD LIGHT FOR THEATRE PROVIDING TOTAL CONTROL OVER WHITE AND COLORED LIGHT

OKSALIS is a LED washlight which provides total control over the quality of all forms of white or colored light. The new HighColorRendering technology used in the OKSALIS is an exclusive electronic platform developed by Osram for ADB, to meet the needs of lighting designers who were not fully satisfied with the performance of LED devices in comparison with traditional lamps.

The heart of the Oksalis washlight is a LED light module consisting of six chips, each for a different color: besides the three "classic" basic Red, Green and Blue colors, ADB added Amber, Cyan and Lime. This exclusive device provides a very

wide color range with extraordinary color spectrum coverage.

Along side the LED-light-source heart of this system is its brain: the brand new sophisticated software algorithm that controls its functions. The light produced by the OKSALIS has a CRI that reaches values that have never been achieved before by LEDs: the typical CRI value is 97, up to 99. These values were previously only possible with traditional technology.

The light parameters are managed through different DMX modes and channels, six of which are dedicated to specific colors and another six are used for fine tuning: once a color has been selected, you can enrich

the palette with an infinite number of shades. There are also two additional independent channels: one for linear color temperature adjustment from 2500K to 8000K, and another devoted to a wide selection of macros that make programming easy.

The OKSALIS fits an extremely high quality optical unit, with proprietary lenses that guarantee even light diffusion and eliminate stray reflections. The zoom ranges from 6° to 50°, with uniform light diffusion at any beam angle. A 16-bit resolution electronic dimmer means you can adjust light intensity in indiscernible infinitesimal steps. Different dimmer curves are

available so you can adapt it to all stage requirements. The fixture may be controlled via DMX, RDM Protocol, Web Server or ArtNet. The OKSALIS has a perfectly homogeneous lumen output, thanks to a source calibration and color balancing procedure which is carried out on every single light during the production testing stage. Furthermore, the control algorithm of each fixture compensates for drifts in color due to ageing on the basis of a model stored in the unit's memory that simulates ideal behaviour during its working life. These sophisticated

features together ensure color consistency both between one light and another, and over time. Silent operation is a particular strong point: its heat sink is die-cast and has forced ventilation, which cools the unit with minimal noise. The OKSALIS is suitable for use in all professional fields of application, where great brightness, a wide range of colors, and a high CRI are particularly appreciated. In fact, the OKSALIS can be used in theatres, television studios, showrooms and exhibitions.



MAIN FEATURES

- State-of-the-art LED moving head washlight
- Power consumption: 500VA (FL20), 300VA (FL10)
- Light sources: 32 LED modules (FL20), 17 LED modules (FL10)
- 6-color LED module: RGB + Amber + Cyan + Lime
- Rated LED module average lifetime: 50,000h
- Total lumen output: 8500 lumen (FL20); 4250 lumen (FL10)
- Typical CRI value: 97, up to 99
- 2500K-8000K color temperature correction
- Color control: RAW mode, HSL mode, RGB mode, CMY mode
- Dedicated color macro channel
- Software algorithm by Osram
- 6°- 50° linear zoom
- Electronic linear dimmer, 16 bit
- Optional frame for external gels and frost filters
- Optional top hat
- Protocols/Functions: DMX, RDM, Web Server and ArtNet
- Totally flicker free



WEIGHT & DIMENSIONS

OKSALIS FL20
 17 Kg (37.48 lbs)
 mm (LxWxH): 479 x 300 x 474
 inches (LxWxH): 18.86 x 11.81 x 18.66

OKSALIS FL10
 12 Kg (26.45 lbs)
 mm (LxWxH): 357 x 300 x 461
 inches (LxWxH): 14.06 x 11.81 x 18.15



Eurodim twin tech

DON'T LIMIT YOUR INVESTMENT TO ONLY 96 CHANNELS!

- Up to 128 three-kilowatt channels.
- Designed for professional applications in theatres, concert halls and TV studios.
- More load per cabinet than any other dimmer on the market (3 kW configuration).
- The only one capable of operating either as a dimmer (0-100%) or as a static relay (ON-OFF switch), while protecting the components and ensuring the maximum lifespan of the connected equipment.
- Full control of all dimmer functions through a user friendly touchscreen interface.
- Automatic load balancing between all three phases.
- Three cooling fans to protect your lighting show.
- Premium quality and technical support guaranteed by ADB, part of the Osram/Claypaky group.

EURODIM TWIN TECH: YOUR BEST INVESTMENT FOR THE FUTURE.

MAIN ADB REFERENCES:

Opéra Bastille (France), Bolshoi Theatre (Russia, Moscow), Mariinsky Theatre (Russia, Saint Petersburg), Teatro Alla Scala (Italy), Beijing National Grand Theatre (China), renowned TV Studios and many more....



**THE POWER OF
384 kW
IN YOUR HAND**

REMOTE CONTROL FOR TWINTECH DIMMER

Download the "RDM Dimmer Remote" App for iOS and Android



LEXPXPERT FAMILY

The LEXPERT family is a range of LED light projectors featuring advanced digital technology and extremely high quality light. LEXPERTs are designed for those who appreciate the advan-

tages of LEDs, but still prefer white light sources: a step towards the future, but with respect for the ways of those who have to use them.

LEXPERT is guaranteed by Osram's

long experience in the lighting industry, and jointly designed by ADB's R&D department. It provides all the benefits of high quality LED luminaires, with excellent value for money.





LEXP PERT PROFILE L

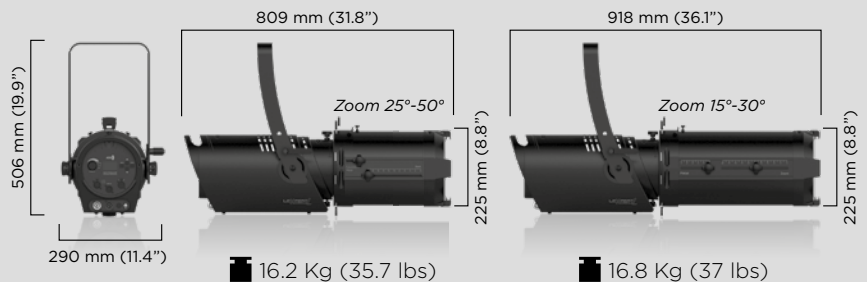
280W FIXED WHITE LED PROFILE SPOTLIGHT

The LEXPERT PROFILE is a white LED light able to produce a powerful, high quality light beam. The two versions available in the catalogue have different color temperatures: warm (3200K) or daylight (5600K). They are built to be modular: the body

containing the LED source works together with an optical unit with either a 15°-30° or a 25°-50° zoom. The two zoom modules are perfectly interchangeable with each other. The Lexpert Profile is equipped with a very versatile dimming system. You can

choose between 8 and 16 bit operation on five channels modes, with four preset dimmer curves. Alternatively intensity can be manually adjusted using an easily accessible knob on the back of the unit. The shaping system consists of four

WEIGHT AND DIMENSIONS



plates, which shape the light beam precisely. The unit also houses a gel holder for inserting color or frost filters, and a pattern holder, or an optional

18-blade iris.

The frequency of this very silent light may be set to between 600 and 4800 Hz and you may choose either

DMX512, RDM or ArtNet3 control. The Lexpert Profile is the ideal unit for lighting theatres, TV studios and multi-functional venues.

MAIN FEATURES

- Excellent smooth light output
- Interchangeable optical unit
- Two color temperatures: warm white (3200K) or daylight (5600K)
- Powerful high-quality beam (high CRI)
- Beam shaping system
- Gobo holder (gobo size Ø 90mm - image size Ø 75mm)
- Extremely smooth 16-bit dimming
- Strobe effect and gradients effect
- Excellent thermal design
- 4 fan selection: boost, standard, silent, ultra-silent
- Noise: 30 dB @ 1m in standard mode; under 25dB @ 1m in silent mode

LIGHT SOURCE

- 280W White LEDs

OPTICAL

- Zoom option: 15°-30° or 25°-50° (interchangeable)
- CRI: WW≥90; CW≥85

CONTROL

- DMX channels: 1/2/3/4/5, depending on the mode
- Control mode: DMX512, RDM, ArtNet
- Dimming adjustable manually via a rotating button
- Firmware upgrade: update via webpage with RJ45 socket

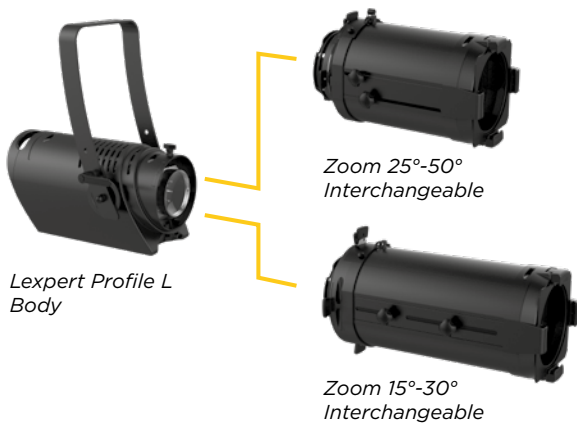
ELECTRICAL

- Power voltage: AC 100-240V, 50/60Hz
- Power consumption: 382 W
- Protection rating: IP20

PHOTOMETRY

Beam	3200K (Warm White)
15°	6423 lux @ 4m (standard mode)
30°	2278 lux @ 4m (standard mode)
25°	2482 lux @ 4m (standard mode)
50°	911 lux @ 4m (standard mode)

Beam	5600K (Daylight)
15°	8452 lux @ 4m (standard mode)
30°	3116 lux @ 4m (standard mode)
25°	3976 lux @ 4m (standard mode)
50°	1209 lux @ 4m (standard mode)



LCD Display

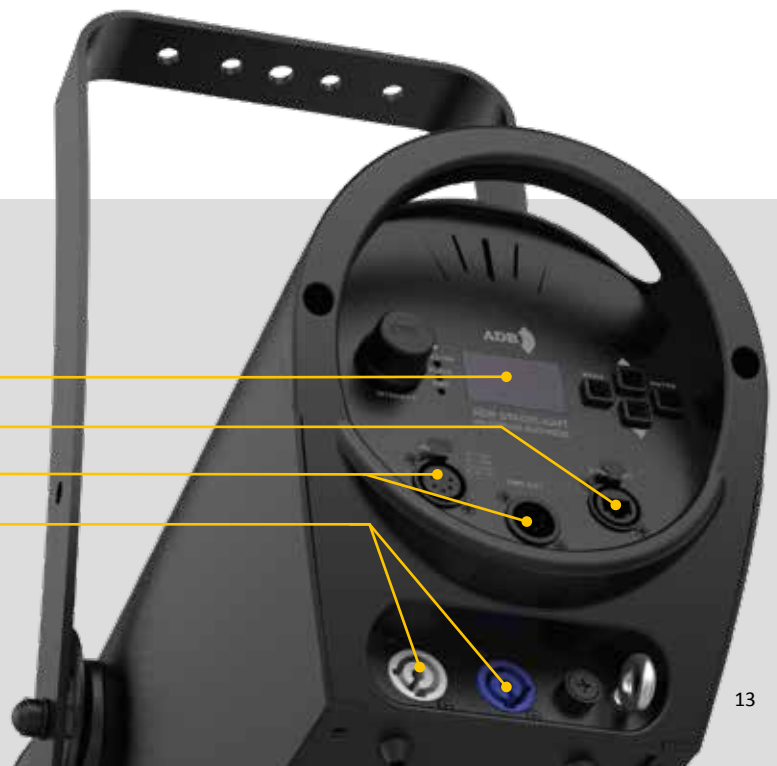
RJ45 socket IN Neutrik

Data IN/OUT: XRL 5 pins Neutrik

Power IN/OUT: Neutrik PowerCon

November 2018

Subject to change without notification





LEXPERT FRESNEL M

WHITE LED FRESNEL UNIT

The compact, lightweight LEXPERT FRESNEL M, with excellent heat dissipation and noise level of less than 30 dB, provides a powerful, smooth white LED light. Thanks to its 200 mm (nearly 8") high quality Fresnel lens

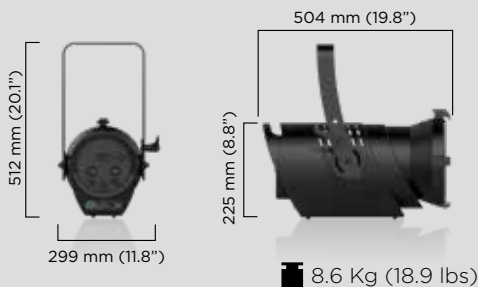
and motor-driven linear zoom, the Lexpert Fresnel M provides a uniform beam, which can be adjusted from 8 to 80 degrees using local and DMX controls.

It is equipped with a very versatile

dimming system: you can choose between 8 and 16-bit operation on four channels, with four preset dimmer curves. Alternatively it can be manually adjusted using an easily accessible knob on the back of the unit.



WEIGHT AND DIMENSIONS



The fixture can be ordered in two different color temperatures - warm (3200K) or daylight (5600K) - and features a gel frame and optional

8-leaves rotating barndoors. With a frequency selectable from 600 to 4800 Hz, and DMX512, RDM and ArtNet3 control to choose from, the

Lexpert Fresnel M is ideal for lighting theatres, TV studios, multi-purpose rooms and other venues.

MAIN FEATURES

- Excellent smooth light output
- High-quality light beam
- Excellent thermal design
- Two color temperatures: warm white (3200K) or daylight (5600K)
- Extremely wide 8°-80° linear motorized zoom
- Linear dimming (8/16 bit)
- Selectable frequencies: 600, 1200, 1800, 2400, 3000, 3600, 4200, 4800 Hz
- Strobe effect and gradients effect
- Optional rotating barndoors and hanger
- 4 fan selection: boost, standard, silent, ultra-silent
- Low noise: under 30 dB @ 1m

OPTICAL

- 200 mm high quality fresnel lens
- 100% Linear motorized zoom (8/16 bit)
- Beam angle: 8° - 80°
- CRI: WW≥94; CW≥90

LIGHT SOURCE

- 150W White LEDs

CONTROL

- DMX channels: 2/3/4/5/6 depending on the mode
- Control mode: DMX512, RDM, ArtNet3
- Dimming adjustable manually via a rotating button
- Zoom adjustable manually via a rotating button
- Firmware upgrade: update via webpage with RJ45 socket

ELECTRICAL

- Power voltage: AC 100-240V, 50/60Hz
- Max power consumption: 205W @ 230V
- Protection rating: IP20

PHOTOMETRY

Beam	3200K (Warm White)
narrow	4320 lux @ 4m (standard mode)
wide	267 lux @ 4m (standard mode)
Beam	5600K (Daylight)
narrow	5436 lux @ 4m (standard mode)
wide	356 lux @ 4m (standard mode)

LCD Display

Data IN/OUT: XRL 5 pins Neutrik

RJ45 socket IN Neutrik

Power IN/OUT: Neutrik PowerCon



November 2018

Subject to change without notification



LEXP EMPHASY

STYLISH, COMPACT YET VERY BRIGHT, FOR HIGHLIGHTING PRECIOUS DETAILS AND ARCHITECTURAL FEATURES

EMPHASY is an LED profile spot for accent lighting with an elegant, compact, lightweight design. The unit has built-in electronic control, and is fan-less for total silence. It is the perfect solution for all applications where the fixture cannot be hidden and an object or an architectural detail has to be enhanced; for instance in museums,

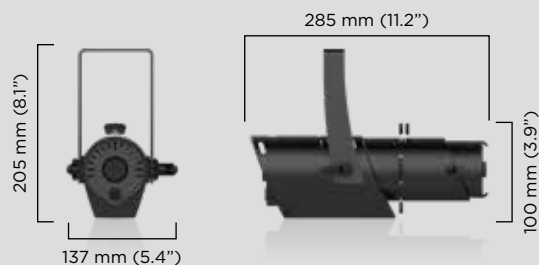
art galleries, shop-windows, exhibition stands, restaurants, hotel lobbies, churches and other commercial and entertainment venues.

EMPHASY features a high color rendering index (CRI≥95), stable over time, and a very high light output for its power consumption. The lens designed around the LED

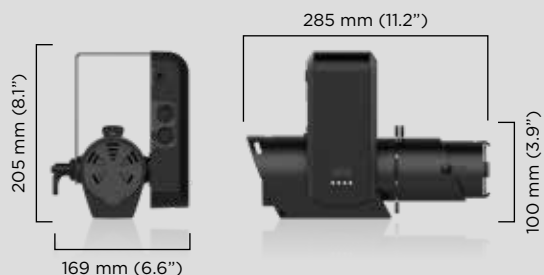


WEIGHT AND DIMENSIONS

EMPHASY ■ 1.8 Kg (3.9 lbs)



EMPHASY DMX (available on request) ■ 2 Kg (4.4 lbs)



delivers a precise, sharp, perfectly diffused beam. The unit is available in various versions, with different beam angles (19°, 26°, 36° or 50°), color temperatures (3200K or

5600K), body finishing color (black or white). A DMX version for theatrical use is available.

EMPHASY is guaranteed by Osram's long experience in the lighting

industry and it has been jointly designed by ADB and Claypaky's R&D departments. It provides all the benefits of LEDs with excellent value for money.

MAIN FEATURES

- Stylish design, sturdy, compact and lightweight
- Built-in electronic control
- Excellent thermal design without fans
- Enhanced optical design for a precise and uniform beam projection
- Powerful light output with a CRI \geq 95
- Beam shaping system
- Gobo holder included (gobo size \varnothing 30mm - image size \varnothing 24mm)
- Selection of 4 beam angles: 19°, 26°, 36° or 50°
- Available in 3200K or 5600K color temperature
- 0-100% smooth and precise dimming control
- Optional remote control via DMX signal available on request
- Accessories: filter frame holder, clamp, safety cable
- Adaptable to most common track lighting connectors (connector is not supplied)
- Available in black or white
- ETL & CE compliant

LIGHT SOURCE

- 36W high powerful LED
- High-quality, high-contrast lenses
- Perfect beam edge at any distance

CONTROL

- Dimming controlled via a rotating button or via DMX (optional)
- Firmware upgrade via DMX link (only DMX version)
- Data IN/OUT: XLR 5 pins Neutrik (only DMX version)

ELECTRICAL

EMPHASY

- Power at full intensity: 30W
- Voltage: 120-277VAC 50-60 Hz mains input via power cord with bare wires

EMPHASY DMX (available on request)

- Power at full intensity: 32W
- Voltage: 100-240VAC, 50/60 Hz mains input via power cord with bare wires

PHOTOMETRY

Beam Angle	3200K
19°	390 lux @ 5m 1080 lux @ 3m
26°	222 lux @ 5m 616 lux @ 3m
36°	142 lux @ 5m 395 lux @ 3m
50°	76 lux @ 5m 210 lux @ 3m

Beam Angle	5600K
19°	436 lux @ 5m 1211 lux @ 3m
26°	244 lux @ 5m 678 lux @ 3m
36°	160 lux @ 5m 444 lux @ 3m
50°	88 lux @ 5m 244 lux @ 3m



Enhanced optical design



Dedicated slot for filter frame



Beam shaping system and dedicated slot for gobo holder



Dimming controlled via a rotating knob

November 2018

Subject to change without notification



OCEAN

WIDEN YOUR IMAGINATION

The OCEAN is a lighting console designed for Theater, Opera and multipurpose venues, based on HATHOR software.

VIEW THE STAGE FROM ANY PERSPECTIVE

High resolution, compact touch screen, designed to give a clear view of the stage regardless of the operator positioning.

The ultra-wide (70cm) screen viewing area ensures full access to all the functions and parameters.

COMPACT & ERGONOMIC

Compact and lightweight, it can be virtually placed anywhere. Its foldable touch screen is adjustable to any position.

STAY CONNECTED

4 Ethernet outputs cut down the use of external Ethernet switches: Lighting networks, Visualizing Software, back-up consoles and any other devices can now be connected to the Ocean thanks to 4 independent Ethernet outputs.



MAIN FEATURES

- 1 ultra-wide stretched Touch Screen, adjustable which could be locked in different positions, up to nearly flat.
- 18 physical 60 mm Subfaders with Assign key, Start key and Flash button.
- 18 Executor buttons (including Assign key and Start key).
- 1 Sequential Theatrical Crossfade with 2 physical 100 mm smooth faders Sequence Playbacks can also be assigned to Subfaders.
- 1 Intensity / Speed control wheel.
- 4 rotary Wheels with Pushbutton function.
- 7 Attribute Group/Palette keys.
- 8 Free assignable keys.
- Channel selection: +, -, Thru, +%, -%, At Level, All and Invert commands
- Direct Numeric entry for SEQUENCE Times and Special Times
- RECORD/UPDATE for Presets, Looks, Groups, Palettes with filtered options

SPECIFICATIONS

- Licences from 1024 to 32768 DMX CHANNELS
- 2000 groups
- 15000 Presets (cues)
- 1000 looks
- 24 playbacks
- 1000 sequences (cue lists)
- Individual special timed transitions for each parameter
- 1000 chasers
- 1000 effect templates
- 100 dimmer curves
- 1000 gel strings
- 16000 palettes (2000 palettes/attribute group)
- 7 attribute groups
- 100 instruments layouts
- 192 virtual submasters (assignable in banks to physical faders)

- 1000 submasters pages
- Virtuality unlimited screen's user layouts (stored to hard drive of control desk)
- 100 panels

OPERATIONAL FEATURES

- Graphical User interface with 2D views (Channel's layouts) which let the operator working directly on the light plot, with selection options (full mouse support, with extensive and intuitive use of drag'n drop and local menus).
- Track Window allows editing of cues via Editor for Instrument parameters and intensities.
- Tracking of all referenced objects such as Presets, Palettes, Groups, color frames and recorded Fader play-backs over the whole show.
- Cues organization by Free Sequence using Presets as reference, or Cue List.
- Drag'n drop facilities to copy/paste or move steps (cues) in the sequence.
- Objects such as Channels, Palettes, and Presets can be dragged and dropped from one place to another, generating very intuitive pop-up menus.
- Objects such as Channels, Palettes and Presets can be selected and activated directly by finger tap.
- Each step (cue) can be edited Live or Blind, channel by channel and parameter by parameter for values and crossfade times.
- Attribute recordings as independent objects in the sequence.
- 7 basic Palette Attribute's Groups as : Focus, Color, Beam, Pattern, Extra, All, Dynamics.
- Reference Palettes and No reference Palettes.
- Recording possibilities: Direct or Drag'n drop / Filters.

- Tracking mode for fixture's parameters with history background, editing and clean-up functions.
- Extensive Factory Template Library as well as user definable templates with 16 bit resolution for any parameter and intensities.
- Complete Template builder included, with direct access and live template modifications and check.
- Replace Fixture function to exchange one device for another one of different type.
- Play (show) browser allowing offline browsing and editing of shows not currently loaded.

CONNECTIONS

- 2 Desk lights on both sides
- 4 DMX512 Outputs (NEUTRIK XLR5 connectors)
- 1 DMX512 input (NEUTRIK XLR5 connectors)
- MIDI In/Out (DIN connectors)
- SMPTE (JACK connector)
- Contact closure triggers (on NEUTRIK XLR4 connector)
- Ethernet switch included, providing 4 NEUTRIK ETHERCON CAT 5 outputs
- One additional Ethernet output (second Network card)
- 4 USB ports on the back side (NEUTRIK USB connectors)
- 1 USB port on the left side
- 1 USB port on the front side
- 2 HDMI Video Outputs

WEIGHT & DIMENSIONS

Weight: 30 Kg (66 lbs)

Dimensions:

- Length 816 mm (32 in)
- Height (without the touch screen) 97 mm (3,8 in)
- Depth (without the touch screen) 544 mm (21,5 in)

IMAGO and IMAGO WING

A SOPHISTICATED FLEXIBLE CONTROL SYSTEM, ALWAYS TO HAND

Imago and Imago Wing are flexible, professional tools for modern programming. They are compact, lightweight, ergonomic, sophisticated, universal lighting control desks, always at hand, which can be easily carried around in a backpack.

IMAGO is based on a keypad, a sequential crossfade, six Subfaders and six Executor keys with illuminated keys. Because moving lights are central to most of today's

productions, IMAGO comes with four push wheels and dedicated keys, allowing operators to efficiently control fixture parameters. The IMAGO WING completes the IMAGO family offering, when associated to the IMAGO, additional control possibilities (18 Subfaders and 18 Executor keys).

The system works with Hathor software via a USB connection to a PC, with max 16,384 parameters via Ethernet.

IMAGO

6 EXECUTOR
BUTTONS

4 ROTARY WHEELS
WITH PUSHBUTTON
FUNCTION

2 PHYSICAL 100mm
SMOOTH FADERS

6 PHYSICAL
SUBFADERS

1 INTENSITY / SPEED
CONTROL WHEEL

IMAGO WING

18 EXECUTOR
BUTTONS

18 EXECUTOR
SUBFADERS

ERGONOMIC, REMOVABLE
ARM REST

A WIDE RANGE OF UNIVERSAL APPLICATIONS

The Imago system can be used as a complementary controller to all ADB Hathor based consoles or in all applications where you need a powerful main lighting controller. Its compact size and light weight make it ideal for lighting designers who are always on the move.

KEY BACKLIGHTING

Thanks to the illuminated keys, all functions, as well as the keypad and the Subfader numbers are easily readable in the dark.

IMAGO MAIN FEATURES

- 6 physical 60 mm Subfaders with Assign key, Start key and Flash button
- 6 Executor buttons (including Assign key and Start key)
- Loading possibilities: Channels, Groups, Presets, Looks, Chasers and Palettes
- 1 Sequential Theatrical Crossfade:
 - 2 physicals 100 mm smooth faders
 - GO / BACK / PAUSE / keys
- 1 Intensity / Speed control wheel
- 4 rotary Wheels with Pushbutton function
- 7 Attribute Group/Palette keys
- Virtually unlimited screen's user layouts
- COPY ATT key
- 8 Free assignable keys
- Channel selection: +, -, Thru, +%, -%, At Level, All and Invert commands

- Direct Numeric entry for SEQUENCE Times and Special Times
- RECORD/UPDATE for Presets, Looks, Groups, Palettes with filtered options
- EDIT key
- FETCH key

CONNECTIONS

- DMX Out: 2 DMX512 XLR 5 pins female
- DMX In: 1 DMX512 XLR5 pin male
- 2 USB Ports A
- 1 USB Port B
- 1 Desk Lamp supply

POWER REQUIREMENTS

- External Power supply 12 V 700 mA

IMAGO WING MAIN FEATURES

- 18 physical Subfaders 60 mm with assign key, Start key and Flash button
- 18 Executor buttons (Assign key and Start key)
- F/B -, F/B+, FB#, DSR, INHIBIT, Flash mode keys
- 6 Action List keys
- 6 Free assignable keys

CONNECTIONS

- 1 USB Port B
- 1 Desk Lamp supply
- 1 DC output 12 V 700 mA

POWER REQUIREMENTS

- External Power supply 12 V 700 mA

WEIGHT AND DIMENSIONS

IMAGO

■ 4.6 Kg (10.14 lbs)

LxWxH (mm): 415 x 285 x 80

LxWxH (inches): 16.34 x 11.22 x 3.15

IMAGO WING

■ 4.6 Kg (10.14 lbs)

LxWxH (mm): 415 x 285 x 80

LxWxH (inches): 16.34 x 11.22 x 3.15

HATHOR SOFTWARE MAIN FEATURES

- 32 Universes: 16,384 outputs / parameters via Ethernet
- Available Control Protocols: ARTNET, sACN, Sandnet, Pathport, Shownet
- 192 virtual Submasters (assignable in banks to physical faders) & 1000 Submasters pages
- 24 Playbacks & 1000 Sequences ("Cuelists")
- Tracking mode for parameters, including automatic Move In Black, as well as CUE only mode in a very intuitive way

THE IMAGO SYSTEM

PC/LAPTOP



HATHOR
SOFTWARE



IMAGO



IMAGO WING



HATHOR SOFTWARE

THE SOPHISTICATED LIGHTING SOFTWARE FOR PASSIONATE PEOPLE

Designed with theatres in mind, HATHOR offers a user friendly and comfortable programming environment: an optimized Channel Grid displays all essential information at a glance - Impressive multi-users (Master - Backup - Clients) net-

worked architecture - A unique drag'n drop function along with right-click contextual menus make HATHOR fast, simple and intuitive to use - A free, fully functional version is available with restricted DMX outputs - An unequalled browser-

based import system allows for a comprehensive item preview before importation - Thanks to an advanced track window with extensive overview of recorded intensities and moving light parameters, immediate editing is made possible.

HATHOR SOFTWARE 2.0 **NEW RELEASE**

Starting from March 2018, ADB has released version 2.0, featuring these main new features:

- Over 10,000 templates with bi-weekly updates independent from software updates
- Fixed faders in submasters, not included in page management, like Playbacks with IN & OUT
- Grand Master, Independents, and Fields
- Innovative HSI colors handled by Color Picker
- Exclusive Park Function, by Device or by Parameter
- Mobile solution available. **Wily for Hathor** is the Smart lighting application for the Hathor product range. Much more than a remote control, the App* enhances your Ipad and Iphone into freely configurable smart consoles

**Optional software. System requirements: iOS10 or later versions*

Release 2.0 of Hathor software can be found on the new ADB Stagelight website (www.adbstagelight.com), both on the page devoted to Hathor and on the download page.





ADB ALMOST 100 YEARS DEVOTED TO THEATRE LIGHTING



ADB, founded in 1920, was one of the pioneers of modern stage lighting. Its products are known and appreciated throughout the world for their construction quality, reliability and excellent performance, especially in the fields of theatre and television.

Since August 2016, ADB has become part of the Osram Group and merged its business with Claypaky, known for its multifunctional fixtures and unparalleled capacity for innovation.

ADB and Claypaky together set a benchmark today in the field of professional show lighting, owing to their unique capability of offering complete, integrated solutions for any kind of projects from television studios to theatres of all sizes, with a range of products including dimmers, control systems, static and moving luminaires featuring halogen, discharge and LED sources and all sorts of accessories.

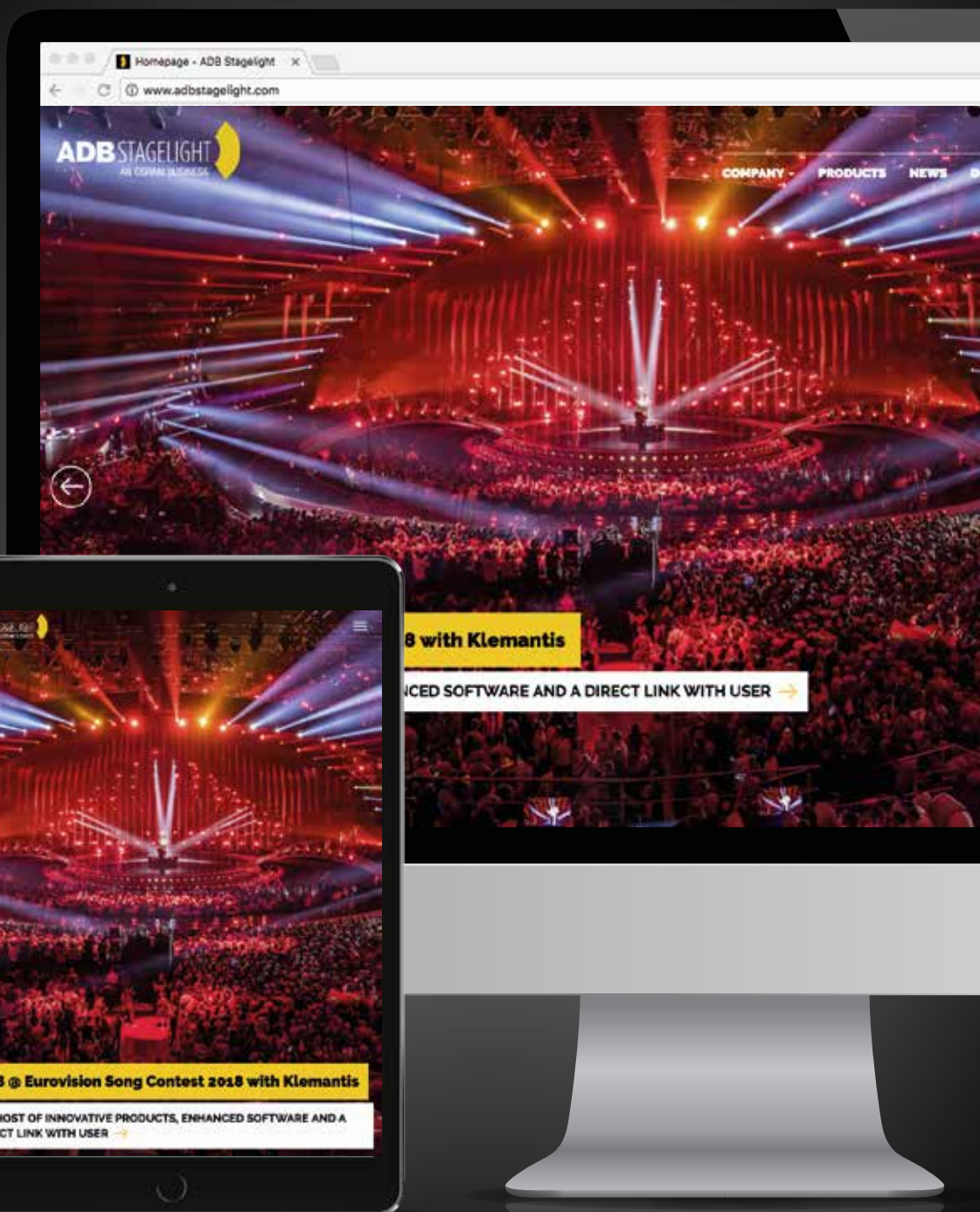
ADB and Claypaky together are able to provide their international clientèle with a widespread organization capable of offering expert support in the design of lighting systems, their installation and commissioning. Above all they offer private customers and public institutions an unparalleled technical support, with a guarantee that only a parent company like Osram can offer.



VISIT THE NEW ADB WEBSITE!

www.adbstagelight.com

Watch the ADB tutorials on YouTube:



Headquarters & Sales
Via Pastrengo, 3/b - I-24068 Seriate (BG), Italy
T +39.035.65.43.11 - F +39.035.30.18.76
www.adbstagelight.com - info@adblighting.com

Factory and Logistics
Zone Industrielle Rouvroy - F-02100 Saint-Quentin,
France
T +33.(0)3.23.06.35.70 - F +33.(0)3.23.67.66.56